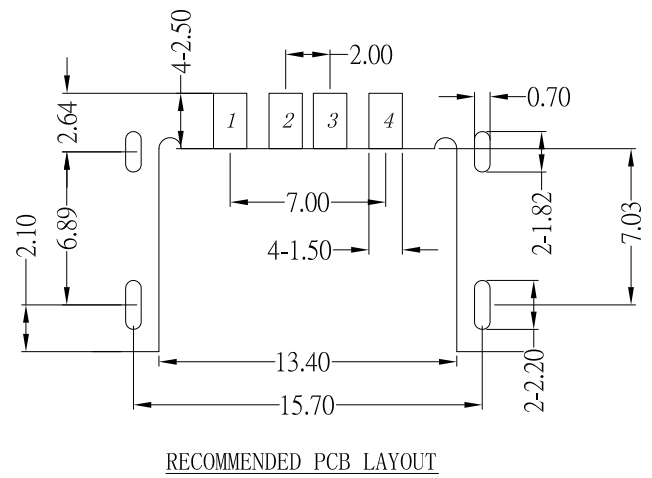
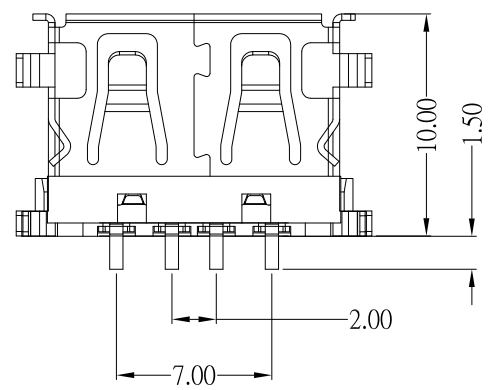
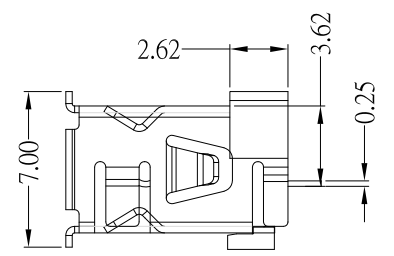
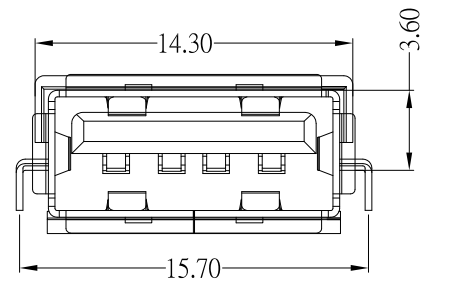
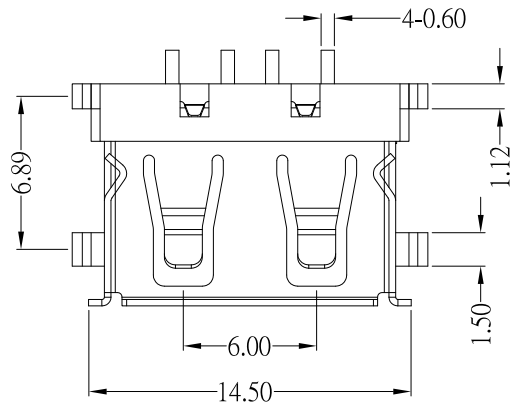




# SUA-110M20x-x-S235

Shell Material :   
 Blank : Phosphor Bronze   
 I : SPCC

Color :   
 White : W   
 Black : B



## SPECIFICATIONS

### Electrical:

- 1.Current Rating: 2.0 A Max
- 2.Contact Resistance: 30 mΩ Max
- 3.Insulation Resistance: 1,000 MΩ Min
- 4.Dielectric Withstanding Voltage: 500 V DC

### Material:

- 1.Housing: Thermoplastics , UL 94V-0
- 2.Contact: Phosphor Bronze
- 3.Shell: Phosphor Bronze / SPCC

### Finish:

- 1.Contact: Plated Gold in Mating Area ;  
Tin Plated on Solder Balls ;  
Nickel under plated overall
- 2.Shell: Nickel under Plated surface layer

**CONTACT** 建倚科技股份有限公司  
**CONTACT TECHNOLOGY CORP.**

TOLERANCE UNLESS OTHERWISE STATED :  
 Up to 5 ±0.2  
 Above 5 ~ 15 ±0.3  
 Above 15 ~ 30 ±0.4  
 Above 30 ~ 50 ±0.5  
 Angle ±0.3°

3RD. ANGEL'S

UNITS MM

DRAWN BY:	DATE	MAT'L	TITLE	CONNECTOR
Jack Lu	12/05/14			
CHECKED BY:	DATE	FINISH	MODLE	USB 2.0 AF 短體10.0mm 沉板,有捲邊 SMT
Jacky Chen	12/05/14			
APPROVED BY:	DATE	SCALE	DWG NO.	SUA-110M20x-x-S235
Tony Kao	12/05/14	1 : 1	PART NO.	SUA-110M20x-x-S235
		SHEET NO.	1 of 1	

ITEM NO.	DESCRIPTION	DRAWN	DATE